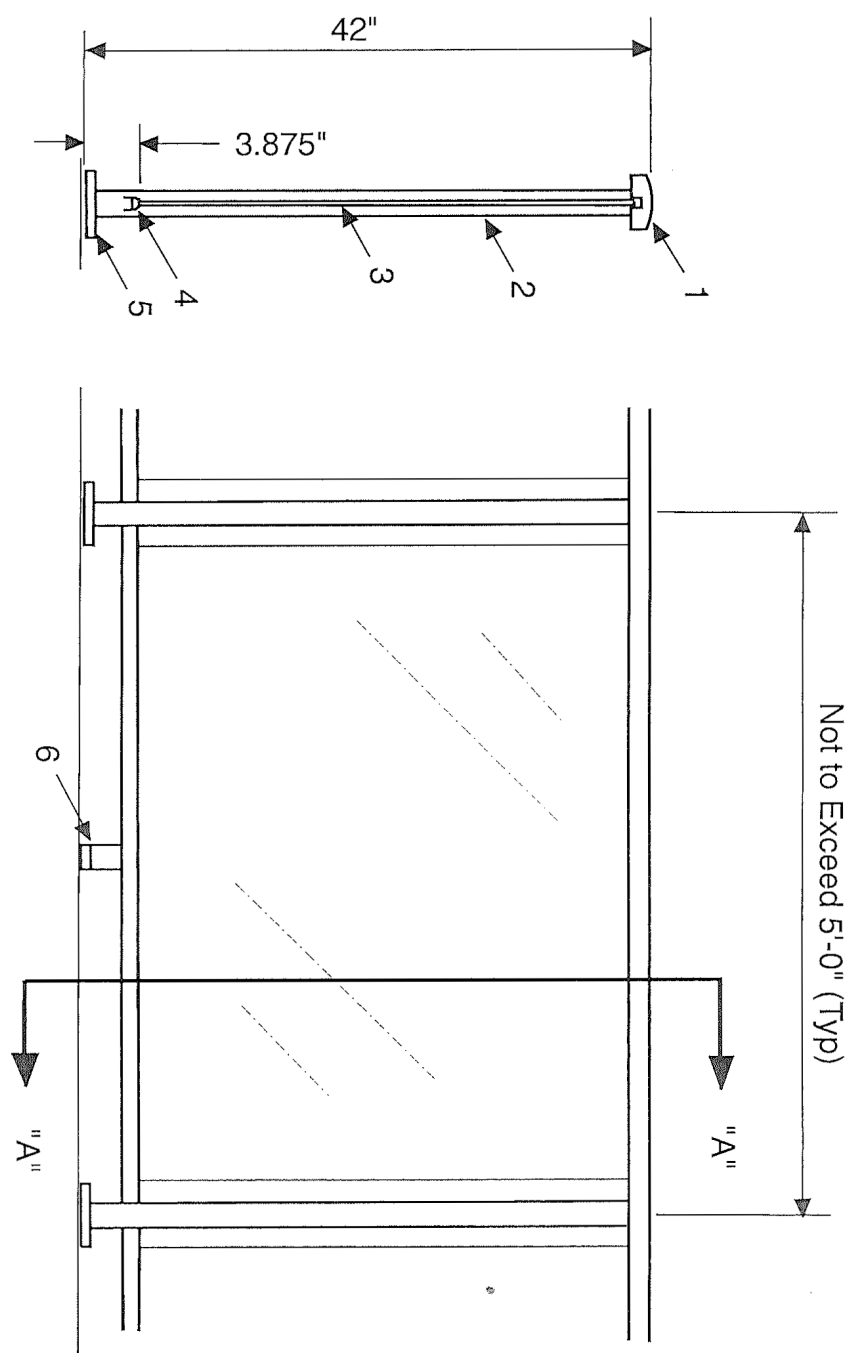


Glass Railing

Not to Exceed 5'-0" (Typ)



SECTION "A-A"
NOT TO SCALE

ELEVATION OF BALCONY RAILING
NOT TO SCALE

Notes: Materials - Aluminum
 Fabrication - Component
 Finish - Polyester powder coated

Unit 115, 11929 - 40th Street S.E., Calgary, AB T2Z 4M8
 403-668-1389 info@creativedeckworx.com



	Description	Thickness	Alloy
1	Top Rail	.070	6063-T54
2	Post - 1.75" x 1.75"	.090	6061-T6
3	Glass - 5 mm Tempered	.196	N/A
4	Bottom Rail - 1.06" x 1.41"	.070	6060-T5
5	Baseplate - 4.00" x 4.00"	.250	6061-T6